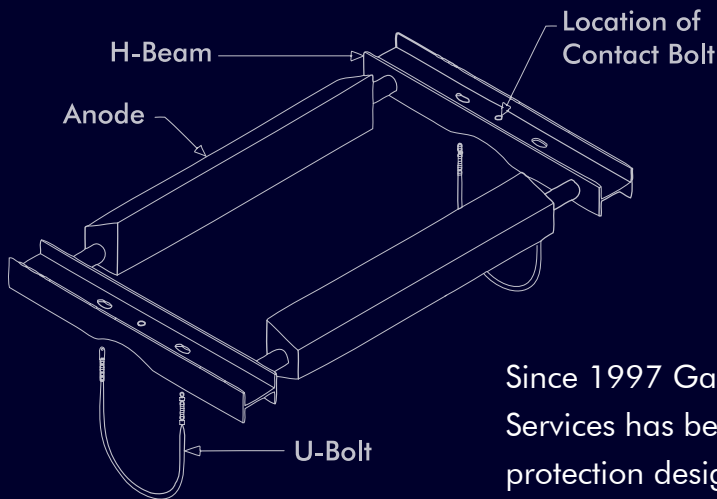


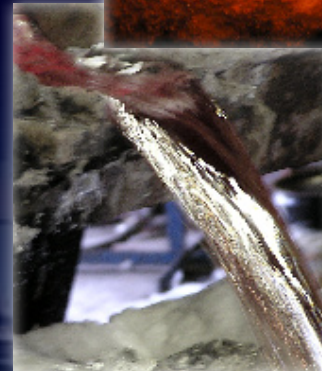
Aluminum Retrofit Anode Systems

Since 1984 Galvotec has been manufacturing aluminum anodes for the offshore cathodic protection industry and for the retrofitting of offshore platform jackets and pipelines.



Since 1997 Galvotec Corrosion Services has been providing cathodic protection design engineering as well as fabricating innovative retrofit assemblies. Our goal is to save installation costs by optimizing the installation to the least number of attachments required to provide full protection for the life of the system.

This equates to a cost saving to the client by reducing the number of anode assemblies needed for the installation. Galvotec has the ability to design the anode specifically to the job, engineer the system for the least number of anode installations required, fabricate custom anodes into proficient installation assemblies, and supply all needed installation hardware and project management required by the installation.



Meeting The Needs of Our Clients

Many different systems can be supplied from the simple shallow water short life hanging systems that can be installed by our experienced offshore crews to large diver or ROV installed anode systems. These include conventional clamp-on systems to large diver or ROV installed anode sled systems. These include systems for offshore jackets, caissons, battered piles, sheet pile docks, pipelines, and all structures in a marine or brackish water environment.

Only Galvotec can produce custom designed systems for the least number of diving installations due to the ability of its ISO Certified foundry to produce large high current generating anodes. This is done at no added material cost and yet reduces installation costs greatly. Galvotec has provided thousands of anodes for Gulf of Mexico installations as well as shipped materials world wide for overseas installations.



For more information and pricing, please contact:



300 Bark Drive, Bldg. C-2 • Harvey, LA 70058
Phone.: (504) 362-7373 • Fax: (504) 362-7331 • Email: service@galvotec.com