



Zinc Anodes

Mil-Spec MIL-18001



Composition:

ASTM-B-418 TYPE I MIL-A-18001-K

Fe	0.005% Max.
Pb	0.006% Max.
Cu	0.005% Max.
Al	0.1 - 0.5%
Cd	0.025 - 0.07%
Zn	Remainder

ASTM-B-418 TYPE II

Fe	0.0014% Max.
Pb	0.003% Max.
Cu	0.002% Max.
Al	0.005% Max.
Cd	0.003% Max.
Zn	Remainder

Galvotec's Mil-Spec zinc anode meet the latest Mil-Spec revision. This alloy is also covered by ASTM-418-95 Type I. Galvotec's Mil-Spec zinc anodes are effective, economical corrosion fighters in applications where temperature exposures are limited up to 120 degrees F. (50° C) Galvotec's Mil-Spec zinc typical uses in seawater or saline mud:

- Hulls of ships, barges, boats and tugs
- Ballast tanks of tankers, ore carriers and freighters
- Bulkheads
- Piers and Pilings
- Pipelines
- Heat Exchangers

Galvotec Alloys, Inc. is an approved manufacturer for the US Government in addition to all of the major shipyards.

Galvanic Efficiency:

Galvotec's Mil-Spec anodes operate at a nominal 95% efficiency in seawater.

Galvanic efficiency relates directly to the anode's service life. Some commercial anodes develop dense corrosion products with high electrical resistance on their surface that restrict the current flow. In some cases, the anode's productive life ends before all of the available anode is consumed.

Galvotec's Mil-Spec anodes, however, resist the formation of hard, dense corrosion products and continue producing protective current until they are completely consumed. This longer life means fewer replacements and reduced overall operating costs.



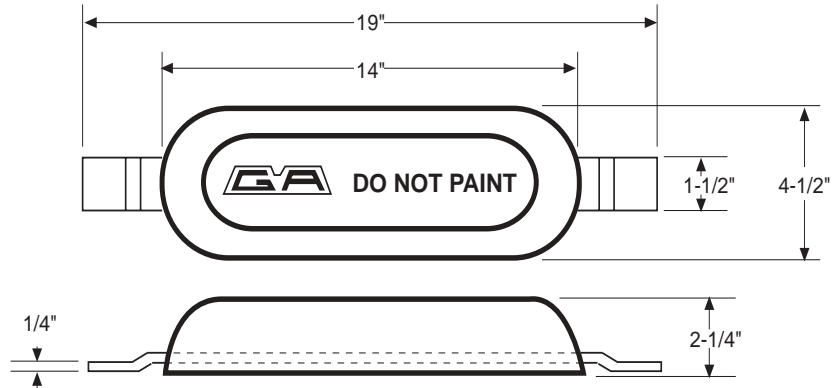
Zinc Hull Anodes



GA-26

Contains single galvanized steel longitudinal strap. Can be bolted or welded to hull. Particularly suited for smaller ships, coastal vessels, harbor tugs, etc.

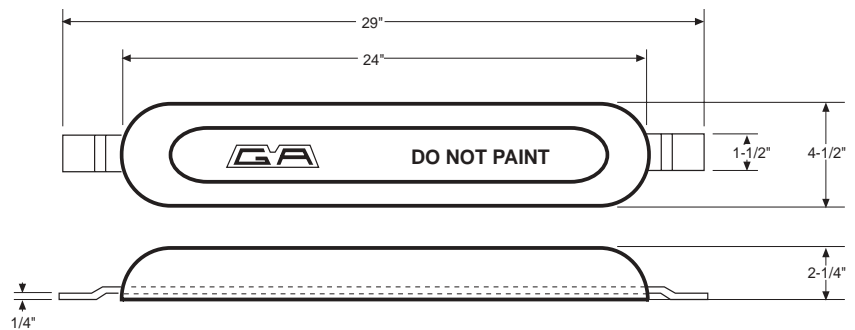
Weight	26 lbs	11.8 kg
Width	4 1/2"	114 mm
Height	2 1/4"	57 mm
Length	14"	356 mm
Current Rating	1 (amp-yrs)	



GA-48

Contains single longitudinal galvanized steel strap for welding to hull. Particularly suited for major ships, 10,000 DWT and upward.

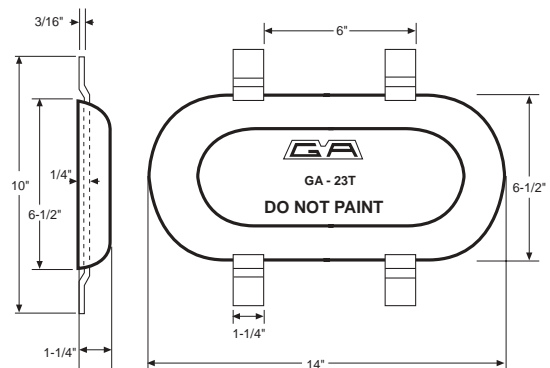
Weight	48 lbs	21.8 kg
Width	4 1/2"	114 mm
Height	2 1/4"	57 mm
Length	24"	61 mm
Current Rating	2 (amp-yrs)	



Tapered GA-23T

Contains two cast-in galvanized steel mounting straps.

Weight	22.5 lbs	10.2 kg
Width	6 1/2"	165 mm
Height	1 1/4"	32 mm
Length	14"	356 mm
Current Rating	1 (amp-yrs)	





Zinc Hull Anodes

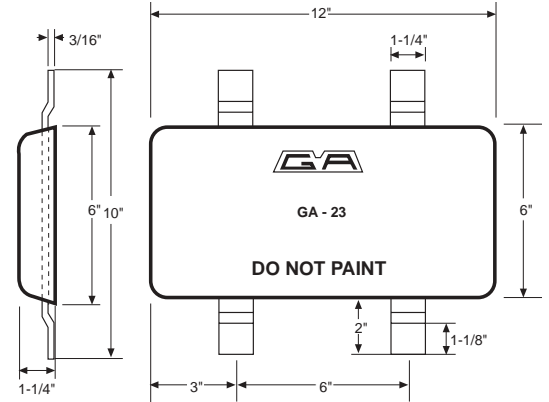


Military Anodes

The anodes shown here conform to the latest modification of MIL-A-18001.

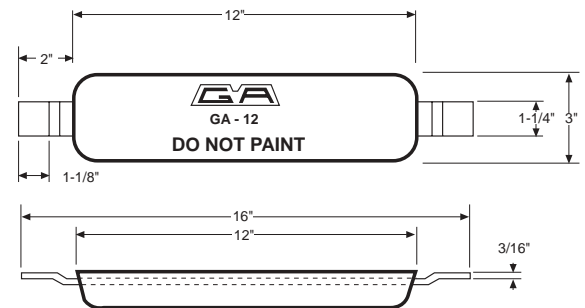
Anodes in this series contain two cast-in galvanized steel mounting straps (brass mounting straps are also available) or two cast-in cored holes on 6" centers. (GA-23C & GA-42C)

Product Number	Mil. Spec.	Wt.		W		H		L		Current Rating (amp-yrs)
		Lbs	Kg	in	mm	in	mm	in	mm	
GA-23	ZHS-23	22	10	6	152	1 1/4	32	12	30	1
GA-23C	ZHC-23	22	10	6	152	1 1/4	32	12	30	1
GA-42	ZHS-47	42	19	6	152	2 1/2	64	12	30	1
GA-42C	ZHC-47	40	18	6	152	2 1/2	64	12	30	1



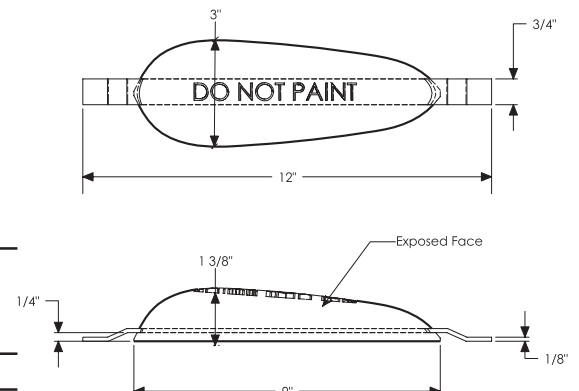
These anodes contain a single cast-in galvanized steel mounting strap measuring 3/16" x 1 1/4" x 16".
Option: Holes in straps

Product Number	Mil. Spec.	Wt.		W		H		L		Current Rating (amp-yrs)
		Lbs	Kg	in	mm	in	mm	in	mm	
GA-12	ZSS-12	11	5	3	76	1 1/4	3	12	30	0.5
GA-24	ZSS-24	22	10	3	76	2 1/2	6	12	30	1.0



A teardrop-shaped anode containing a single, cast-in galvanized steel strap.

Product Number	Mil. Spec.	Wt.		W		H		L		Current Rating (amp-yrs)
		Lbs	Kg	in	mm	in	mm	in	mm	
GA-TD6	ZTS	5	2.3	3	76	1 1/4	32	9	41	0.25





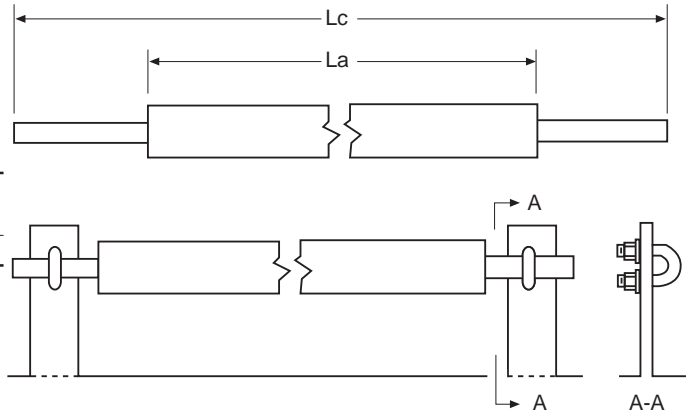
Zinc Ballast Tank Anodes



GA-TZ Series

Anodes contain straight galvanized steel core rod for direct welding or assembly to two flat bars with "U" bolts as shown.

Product Number	Wt.		W		H		La		LC		Current Rating (amp-yrs)
	Lbs	Kg	in	mm	in	mm	in	mm	in	mm	
GA-TZ-27	27	12.3	1.4	36	1.4	36	48	1219	60	1524	1
GA-TZ-50	50	22.7	2	51	2	51	48	1219	60	1524	1
GA-TZ-60	60	27.2	2	51	2	51	60	1524	72	1829	2.25
GA-TZ-70	70	31.8	2 1/2	64	2 1/2	64	48	1219	60	1524	2.5
GA-TZ-100	100	45.4	2 1/2	64	2 1/2	64	60	1524	72	1829	4

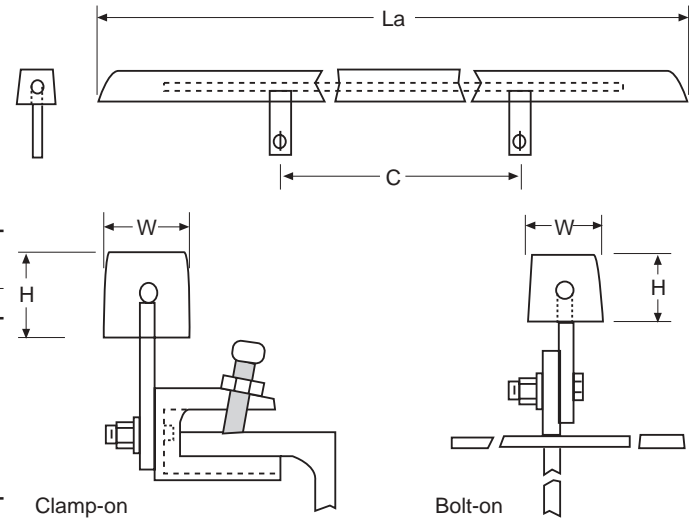


Hardware Sold Separately

GA-TZ Bolt-on Series

The core consists of two galvanized steel flat bars welded to a mild steel rod. Anodes can be clamped, welded or bolted to ballast tank structure.

Product Number	Wt.		W		H		La		C		Current Rating (amp-yrs)
	Lbs	Kg	in	mm	in	mm	in	mm	in	mm	
GA-TZB-27	27	12.3	1.4	36	1.4	36	48	1219	24	610	1
GA-TZB-50	50	22.7	2	51	2	51	48	1219	24	610	2
GA-TZB-60	60	27.2	2	51	2	51	60	1524	36	914	2.25
GA-TZB-70	70	31.8	2 1/2	64	2 1/2	64	48	1219	24	610	2.5
GA-TZB-100	100	45.4	2 1/2	64	2 1/2	64	60	1524	36	914	4

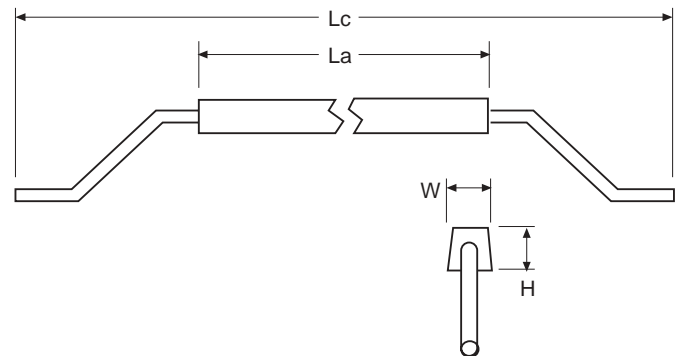


Hardware Sold Separately

GA-TZ Weld-on Series

Contains bent galvanized steel core rod on sizes up to 50 lbs. for direct welding to structure. Anodes over 50 lbs. have 5/8" diameter core rod.

Product Number	Wt.		W		H		La		LC		Current Rating (amp-yrs)
	Lbs	Kg	in	mm	in	mm	in	mm	in	mm	
GA-TZW-27	27	12.3	1.4	36	1.4	34	48	1219	69	1753	1
GA-TZW-50	50	22.7	2	51	2	51	48	1219	69	1753	2
GA-TZW-60	60	27.2	2	51	2	51	60	1524	81	2057	2.25
GA-TZW-70	70	31.8	2 1/2	64	2 1/2	64	48	1219	69	1753	2.5
GA-TZW-100	100	45.4	2 1/2	64	2 1/2	64	60	1524	81	2057	4





Zinc Pier & Piling Anodes

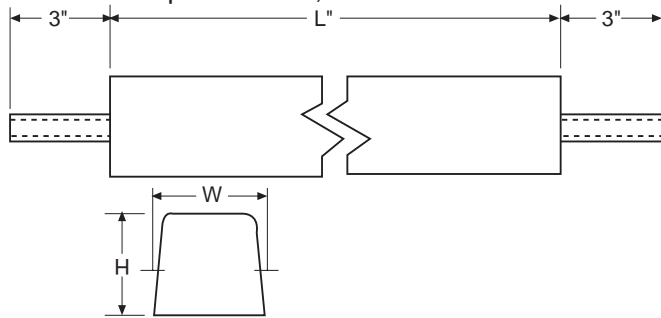
Condenser Anodes



GA-PZ Series

Several different steel cores are available in this anode series. When ordering specify which of the following cores is desired:

- Type "E"** – 1/2" diameter eyebolt in anodes weighing up to 200 lbs; 3/4" over 200 lbs.
- Type "P"** – 3/4" standard pipe in anodes weighing less than 250 lbs; 1" pipe 250 lbs. and up.
- Type "R"** – 1/2" diameter rod in anodes weighing up to 200 lbs; 1" over 200 lbs.



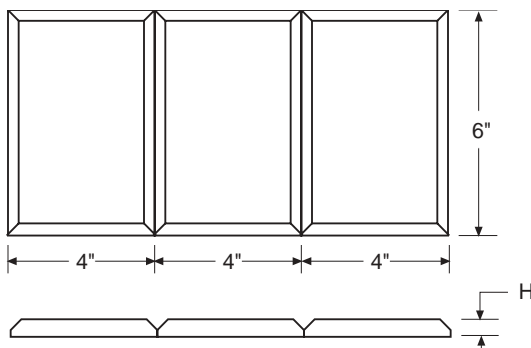
Product Number	Wt.		W		H		L		Current Core Type	Rating (amp-yrs)
	Lbs	Kg	in	mm	in	mm	in	mm		
GA-PZ-50	50	22.7	2	51	2	51	48	1219	E,R	2
GA-PZ-100	100	45.4	3	76	3	76	44	1118	E,P,R	4
GA-PZ-150	150	68.0	4	102	4	102	36	914	E,P,R	6
GA-PZ-250	250	113.4	9	229	9	229	12	305	E,P,R	10
GA-PZ-250A*	250	113.4	4	102	4	102	60	1524	E,P,R	10
GA-PZ-350	375	170.1	7	178	7	178	30	762	E,P,R	15
GA-PZ-500	500	226.8	9	229	9	229	24	610	E,P,R	20

* Pipe core for this anode is 3/4" standard pipe.

Cast Plates

Solid hull anodes are available without cast-in mounting straps.

Product Number	Wt.		W		H		L		Current Rating (amp-yrs)
	Lbs	Kg	in	mm	in	mm	in	mm	
GA-19	19	6.6	6	152	1	25	12	305	0.75
GA-10/Solid	10	4.5	6	152	1/2	13	12	305	0.5
GA-10/Section	10	4.5	6	152	1/2	13	12	305	0.5

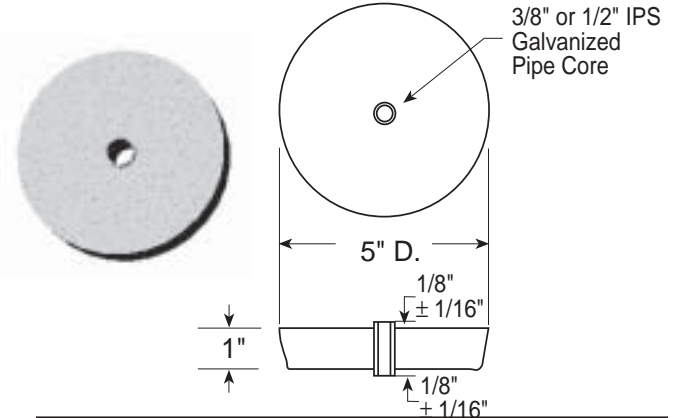


Nominal weights and dimensions

GA-ZEP Series

These circular anodes conform to the latest modification of MIL-A-18001 and are available with either of the following core configurations:

- Style A** – Square slab 6" x 6" x 1"
- Style B** – Circular slab
- Style C** – Semi-circular slab



Product Number	Wt.		Diameter		Core Type
	lbs	kg	in	mm	
GA-2	1	.5	2	51	A
GA-3	2	.9	3	76	A
GA-4	3	1.4	4	102	A
GA-5	5	2.3	5	127	A
GA-6	7	3.2	6	152	A
GA-9	16	7.3	9	229	B
GA-11	24	10.9	11	279	B
GA-15			15	381	C

Type "A" – one 3/8" or 1/2" IPS galvanized steel pipe.

Type "B" – two 3/8" or 1/2" IPS galvanized steel pipes on 3 1/2" centers (not shown).

Type "C" – two 3/8" or 1/2" IPS galvanized steel core.

Custom Line

For special requirements, Mil-Spec anodes for ballast tanks, piers and pilings can be furnished with a wide variety of cores and to the range of dimensions shown in the accompanying table:

Cross Section		Lengths		Nom. Wt.	
in	mm	in	mm	lbs/in	kg/mm
1.4 x 1.4	36 x 36	6-60	153-1524	0.5	0.01
2 x 2	51 x 51	6-60	153-1524	1.0	0.02
2.5 x 2.5	64 x 64	6-60	153-1524	1.5	0.03
3 x 3	76 x 76	6-60	153-1524	2.3	0.41
4 x 4	102 x 102	6-60	153-1524	4.2	0.08
5 x 5	127 x 127	6-48	153-1219	6.5	0.12
7 x 7	178 x 178	6-36	223-914	12.8	0.23
9 x 9	229 x 229	9-24	223-610	21.0	0.38
9 x 10	229 x 254	9-24	223-610	23.4	0.42
10 x 10	254 x 254	9-24	223-610	26.0	0.46



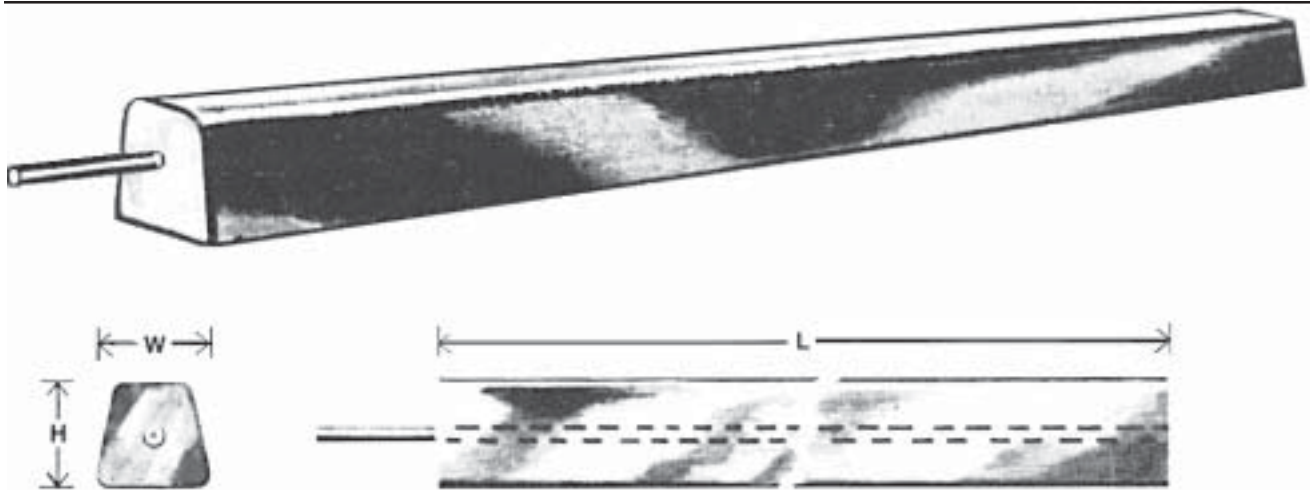
Zinc Soil Anodes



Composition: Soil zinc anodes are made from 99.99% pure Special High Grade Zinc. This alloy conforms to the composition of ASTM B-418-95 Type II.

Galvotec zinc anodes for underground use are produced in a variety of sizes and weights. All of the following anode sizes are supplied with 1/4" galvanized mild steel core. The standard core extends 4" out one end. Anode can be supplied bare or packaged with the standard 10' of #12 copper lead wire (THWN/THHN/TW) unless otherwise specified.

Product Number	Wt.		W		H		L		Pkg.		Diam.		L	
	lb	kg	in	mm	in	mm	in	mm	lb	kg	in	mm	in	mm
GA-S-5	5	2.3	1.4	36	1.4	36	9	223	20	9	5	127	15	381
GA-S-12	12	5.4	1.4	36	1.4	36	24	610	40	18	5	127	30	762
GA-S-15	15	6.8	2	51	2	51	15	381	36	16	6	127	21	533
GA-S-18	18	8.2	1.4	36	1.4	36	36	914	55	25	5	127	42	1067
GA-S-30	30	13.6	1.4	36	1.4	36	60	1524	86	39	5	127	66	1676
GA-S-30A	30	13.6	2	51	2	51	30	762	67	30	6	127	36	914
GA-S-45	45	20.4	2	51	2	51	45	1143	100	45	6	127	51	1295
GA-S-60	60	27.2	2	51	2	51	60	1524	120	55	6	127	66	1676



Custom Anodes

Cross Section		Length Range		Nominal Wt.	
in	mm	in	mm	lb./in.	kg/mm
3 x 3	76 x 76	6 - 60	152 - 152	2.3	0.04
4 x 4	102 x 102	6 - 60	152 - 152	4.2	0.08
5 x 5	127 x 127	6 - 48	152 - 122	6.5	0.12
7 x 7	178 x 178	6 - 36	152 - 914	12.8	0.23
9 x 9	229 x 229	12 - 24	305 - 610	21	0.38
10 x 10	254 x 254	9 - 24	229 - 610	26	0.46

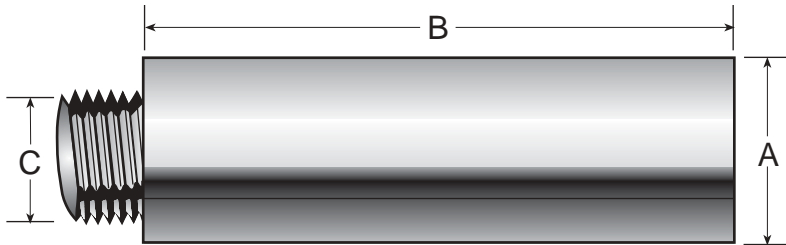


Zinc Pencil Anode



Custom Sizes Available

Type ZRN



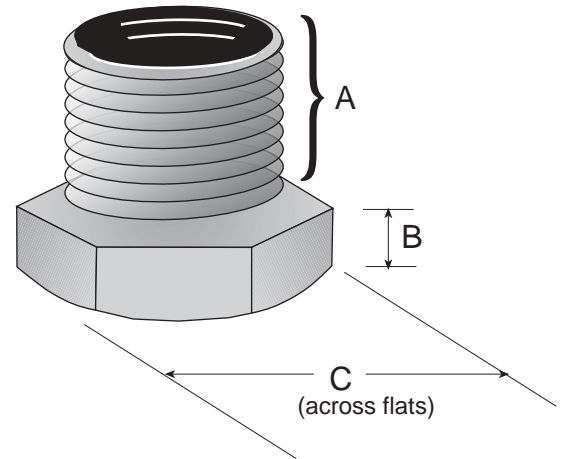
SOLID ZINC PENCIL ANODES*				
Pencil Dimensions				
Product Number	A		B	C
	in	mm		
ZP-P375	3/8	10	Available	Specify
ZP-P500	1/2"	13	in	Thread
ZP-P625	5/8	16	1" - 6"	Size
ZP-P750	3/4	19	2.5cm-15.2cm	Desired
ZP-P1050	1	25	Lengths	

*Metal composition meets MIL-A-18001

PENCIL ANODE BRASS RETAINING PLUGS

Pencil Dimensions

Product Number	A (NPT Size)		B		C		* Internal Thread
	in.	cm	in	mm	in	mm	
BP 250-B	1/4	6	.3125	8	.625	16	3/8-16 NC
BP 375-B	3/8	10	.3125	8	.75	19	3/8-16 NC
BP-500-B	1/2	13	.375	10	1.00	25	3/8-16 NC
BP-750-B	3/4	19	.375	10	1.25	32	5/8 - 11 NC
BP-1000-B	1	25	.500	13	1.50	38	3/4-10 NC
BP-S-HEX	1 1/4	32					3/4" NC
BP-S-HEX	1 1/4	32					1" NC
BP-S-Sq.	1 1/2	38					3/4" NC
BP-S-Sq.							1" NC
BP-S-Sq.	2	51					3/4" NC
BP-S-Sq.							1" NC



*Other Internal Thread Sizes Available

ZINC RODS*

Product Number	Size (D x L)		Net Weight each	
	in.	mm	lb	kg
ZR-.375X72	ZR-3/8 x 72	10 x 1829	2	.9
ZR-.5X36	ZR-1/2 x 36	13 x 601	6	1.8
ZR-.625X72	ZR-5/8 x 72	16 x 1829	6	2.7
ZR-.75X36	ZR-3/4 x 36	19 x 914	4.5	1.4
ZR-1X36	ZR-1 x 36	25 x 914	7.5	2.3
ZR-1.25X36	ZR-1.25 x 36	32 x 914	12	3.6
ZR-1.5X36	ZR-1.5 x 36	38 x 914	18.75	5.7
ZR-2X36	ZR-2 x 36	51 x 914	33	10.0
ZR-2.5X36	ZR-2.5 x 36	64 x 914	51	15.4
ZR-3X36	ZR-3 x 36		60.75	18.4
ZR-3.5X36	ZR-3.5 x 36		86.25	26.1



*Metal composition meets the latest MIL-A-18001



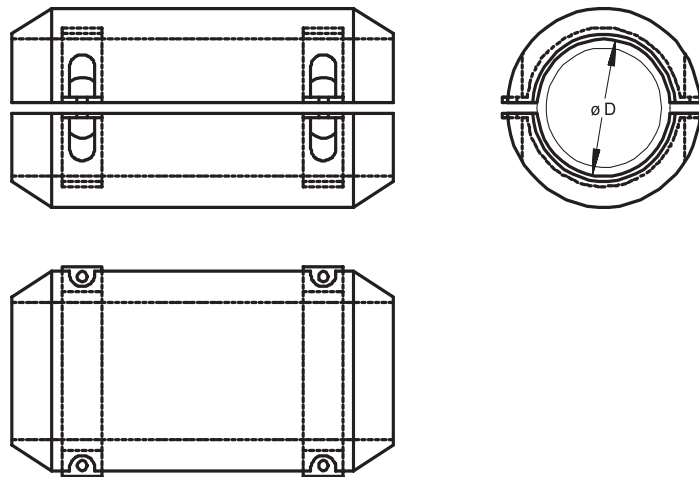
Zinc Bracelet Anodes



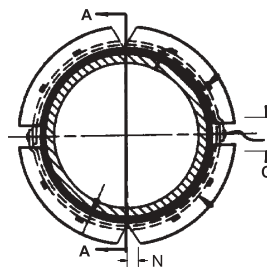
Galvotec has produced all sizes of zinc bracelets ranging from 1 1/2" O.D. to 48" O.D. including cast-on bracelet sizes with great success. Galvotec's accomplishment regarding on time deliveries and quality workmanship is due to our competent staff with many years of experience in manufacturing anodes of all types.

Galvotec's laboratory is fully equipped with state-of-the-art equipment. All products are tested and inspected prior to shipping. Chemical analyses are run on each heat prior to production.

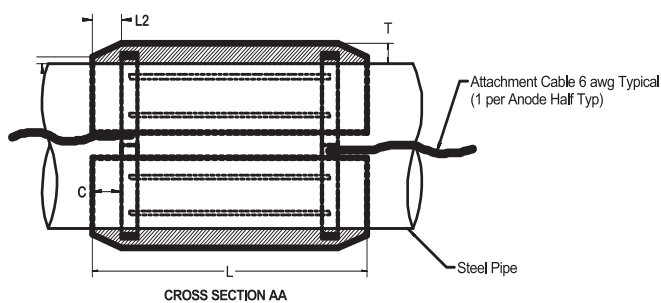
Bolt-on



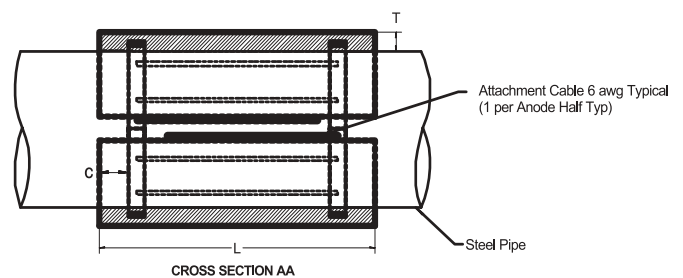
Weld-on



Tapered



Square End

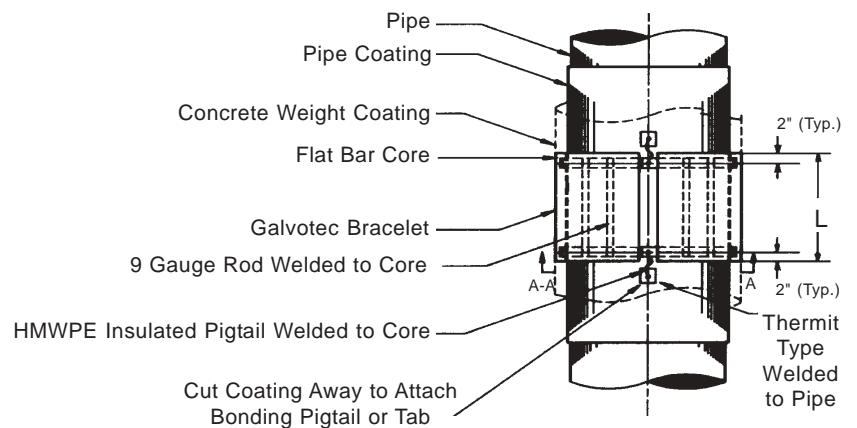
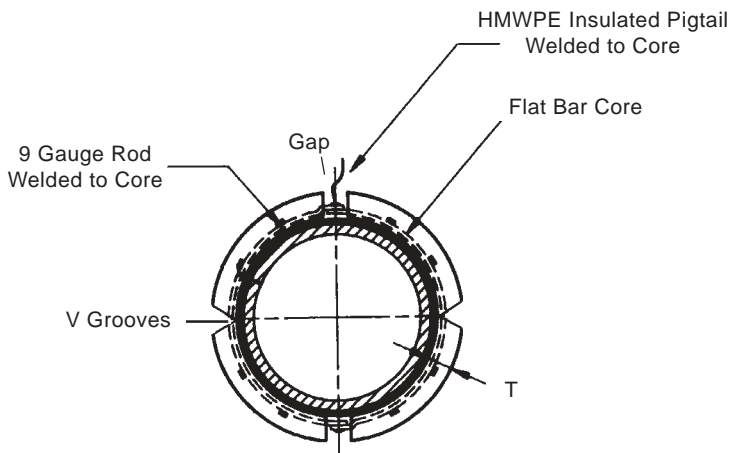
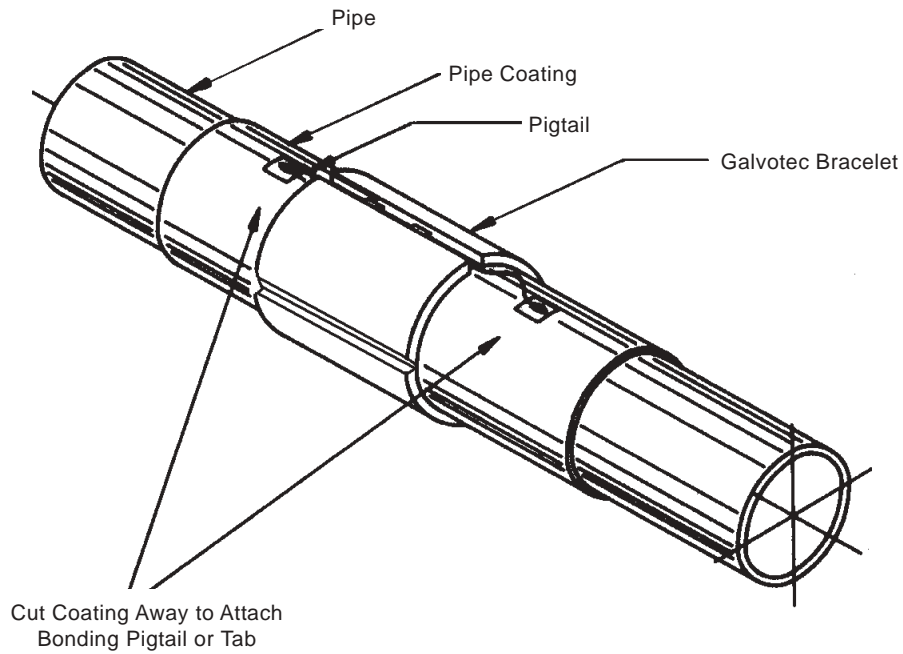




Zinc Bracelet Anodes



Semi-Cylindrical for Concrete Coated Pipe





Zinc Bracelet Anodes



Tapered Bracelets

Bracelet I.D.		TYPE *	THICKNESS		LENGTH		GAP		NET WT.		GROSS WT.	
in	mm		in	mm	in	mm	in	mm	lbs	kg	lbs	kg
2 3/8	60	T	1 1/4	32	12	305	1	25	29	13.2	31	14.1
3 1/2	89	T	1 1/4	32	12	305	1	25	39	17.7	41	18.6
4 1/2	114	T	1 1/2	38	12	305	1 1/4	32	62	28.1	64	29.0
4 1/2	114	T	1 1/2	38	19 1/4	489	1 1/4	32	119	54.0	122	55.3
5 9/16	141	T	1 1/2	38	15 5/8	397	1 1/4	32	95	43.1	98	44.5
6 5/8	168	T	1 1/2	38	11 1/4	286	1 1/2	38	83	37.7	87	39.5
6 5/8	168	TB2	1 1/2	38	13 1/2	343	3/4	19	83	37.7	87	39.5
6 5/8	168	T	1 1/2	38	13 5/8	346	1 1/2	38	83	37.7	87	39.5
6 5/8	168	T	1 1/2	38	18	457	1 1/4	32	155	70.3	159	72.1
6 5/8	168	T	1 3/4	44	21 1/4	540	1 1/2	38	190	86.2	194	88.0
6 5/8	168	ST	1 3/4	44	21 3/4	553	1 1/2	38	204	92.5	208	94.4
7 3/8	187	TB2	2 1/4	57	9 1/2	241	1	25	114	51.7	119	54.0
8 5/8	219	T	1 1/2	38	11 1/4	286	1 1/2	38	101	45.8	106	48.1
8 5/8	219	T	1 1/2	38	14 1/3	364	1 1/2	38	129	58.5	134	60.8
8 5/8	219	T	1 1/2	38	19.8	503	1 1/2	38	212	96.2	217	98.4
8 5/8	219	TB1	2 1/4	57	26 5/8	676	-	-	212	96.2	217	98.4
8 5/8	219	T	2 1/2	64	16	406	1 1/2	38	250	113.4	254	115.2
9 3/8	238	ST w/sockets	1 1/2	38	13 1/2	343	3	76	183	83.0	187	84.8
9 1/2	241	TB2	2 1/2	64	10 1/2	267	2	51	168	76.2	170	77.1
10 3/4	273	T	1 1/2	38	12.7	323	2	51	129	58.5	136	61.7
10 3/4	273	T	1 1/2	38	17 3/4	451	2	51	196	88.9	201	91.2
10 3/4	273	T	1 3/8	35	18 3/4	476	1 1/2	38	209	94.8	214	97.1
10 3/4	273	T	1 3/4	44	22	559	2	51	304	137.8	309	140.2
10 3/4	273	ST	1 3/4	44	22 1/4	565	2	51	320	145.2	326	147.9
10 3/4	273	TB1	3 1/4	83	24 1/2	622	-	-	338	153.3	352	159.7
10 3/4	273	ST	1 3/4	44	40	1016	2 1/2	64	586	265.8	596	270.3
12 3/4	324	T	1 1/2	38	14 3/4	375	2	51	191	86.6	201	91.2
12 3/4	324	T	1 1/2	38	16 3/4	425	1 1/2	38	269	122.0	275	124.7
12 3/4	324	ST	1 1/2	38	21.2	539	2 1/4	57	307	139.3	319	144.0
12 3/4	324	T w/sockets	1 1/2	38	23	584	4	102	323	146.5	329	149.2
12 3/4	324	T	2	51	19 5/8	498	2	51	385	174.6	398	180.5
12 3/4	324	ST1	1 3/8	35	31 1/2	800	2	51	426	193.2	438	198.7
13 9/16	345	T w/sockets	1 1/2	38	14	356	4	102	178	80.7	184	83.5
14	356	ST	1 1/2	38	21.1	536	2 1/4	57	338	153.3	351	159.2
14	356	ST	1 3/4	44	21 3/4	553	2	51	397	180.1	411	186.4
16	406	ST	1 3/4	44	20	508	2 1/4	57	436	197.8	451	204.6
16	406	ST1	1 1/2	38	32	813	2	51	542	245.9	557	252.7
16	406	ST	2	51	23	584	2 1/2	64	544	246.8	559	253.7
32	813	T	2	51	15 1/2	394	3	16	750	1654	785	1731
36	914	T	2 3/4	70	16 7/8	429	3	76	1096	2416	1131	2493
40	1016	T	2	51	15 3/8	390	3	76	604	1332	631	1391

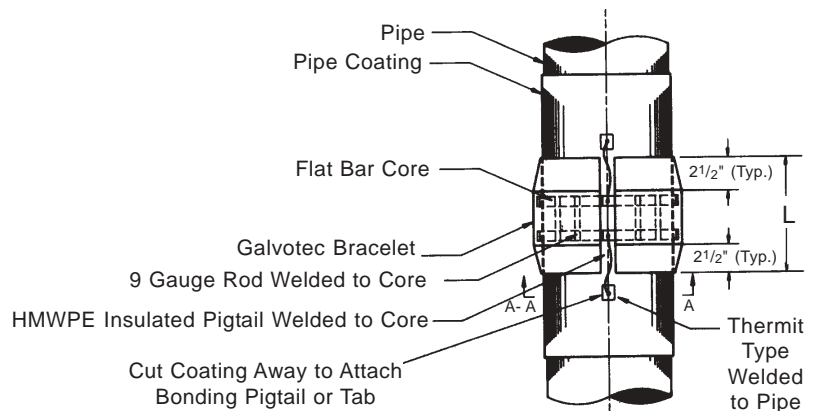
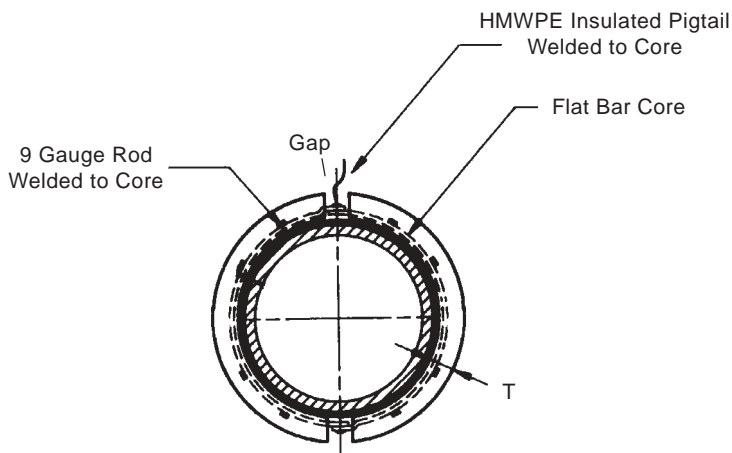
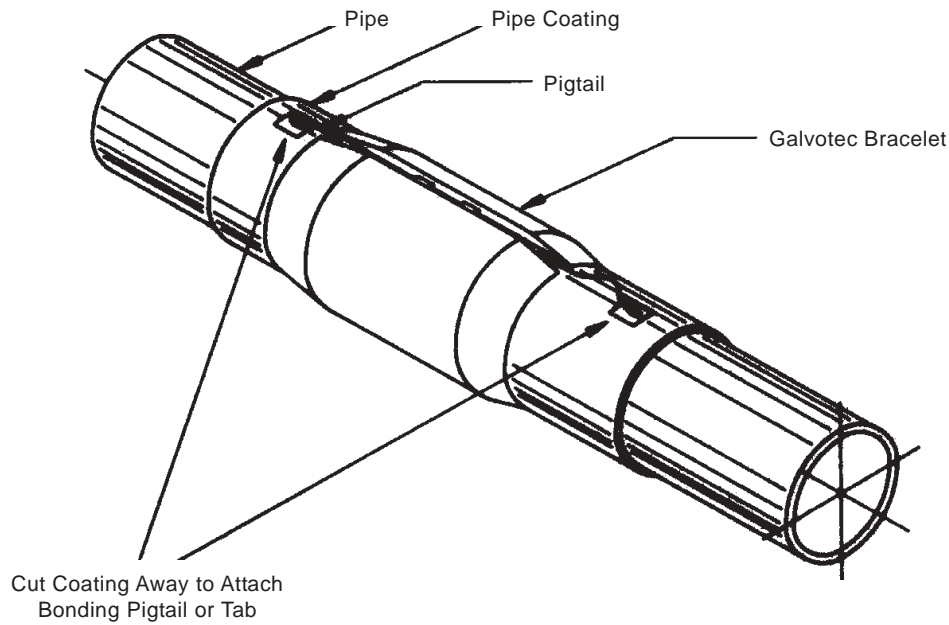
- * T=Tapered
- TB1=Tapered-Bolt-On (1 half only)
- TB2=Tapered-Bolt-On
- ST-Semi-Tapered
- ST1=Semi-Tapered (One End Only)



Zinc Bracelet Anodes



Semi-Cylindrical Tapered Anodes





Zinc Bracelet Anodes



Concrete Coated Pipe Bracelets

Bracelet I.D.		TYPE *	THICKNESS		LENGTH		GAP		NET WT.		GROSS WT.	
in	mm		in	mm	in	mm	in	mm	lbs	kg	lbs	kg
6 5/8	168	CC	1 1/2	38	14 1/2	368	3	76	107	48.5	111	50.3
6 7/8	175	IT	1 1/2	38	19 1/2	495	2	51	161	73.0	165	74.8
8 5/8	219	CC	1 1/2	38	8 1/2	216	2	51	78	35.4	81	36.7
8 5/8	219	CC	1 3/4	44	16 1/4	413	1 1/2	38	229	103.9	234	106.1
8 7/8	225	IT	1 1/2	38	16 1/2	419	2	51	164	74.4	168	76.20
10 3/4	273	CC	1 3/4	44	18 1/4	464	2 1/2	64	270	122.5	279	126.6
10 3/4	273	CC	1 3/4	44	22	559	2	51	304	137.9	316	143.3
10 3/4	273	CC	2	51	17 3/8	441	2	51	312	141.5	321	145.6
10 3/4	273	CC	2	51	21 3/4	553	2 1/2	64	354	160.6	364	165.1
11	279	IT	1 1/2	38	19 1/2	495	2	51	253	114.8	259	117.5
12	305	CC	1 1/2	38	16 3/8	416	2	51	234	106.1	244	110.7
12	305	CC	2	51	11 3/4	299	2	51	234	106.1	244	110.7
12 3/4	324	CC	1 1/8	29	16	406	2	51	177	80.3	190	106.1
12 3/4	324	CC	1 1/4	32	16	406	2	51	192	87.1	198	89.8
12 3/4	324	CC	1 1/8	29	21 1/2	546	1 1/2	38	250	113.4	264	119.8
12 3/4	324	CC	1 1/2	38	18.9	480	2	51	291	132.0	304	137.9
12 3/4	324	CC	1 3/4	44	18 1/2	470	3	76	338	153.3	351	159.2
12 3/4	324	CC	1 1/2	38	26 5/8	676	3	76	387	175.5	400	181.4
13	330	IT	1 1/2	38	16 1/2	419	2	51	237	107.5	242	109.8
14	356	CC	1 1/4	32	16 3/4	426	2	51	239	108.4	247	112.0
14	356	CC	2	51	21	533	3	76	406	184.2	473	214.6
16	406	CC	1 1/4	32	12	305	2	51	174	78.9	189	85.7
16	406	CC	1	25	21	533	2	51	270	122.5	286	129.7
16	406	CC	1	25	24 3/4	629	1 1/2	38	333	151.0	349	158.3
16	406	CC	1 1/2	38	17 1/2	445	2	51	333	151.0	349	158.3
16	406	CC	1 1/4	32	25	635	1 1/2	38	403	182.8	419	190.1
16	406	CC	1 3/4	44	18 1/2	470	3	76	411	186.4	422	191.4
16	406	CC	1 1/2	38	21 3/4	553	2	51	437	196.2	453	205.5
16	406	CC	2 1/2	64	13.4	340	3	76	442	200.5	458	207.7
18	456	CC	1 5/8	41	17 3/16	437	4 3/8	111	359	162.8	376	170.6
18	457	CC	2 1/2	64	12 1/2	318	3	76	468	212.3	485	220.0
18	457	CC	1 3/4	44	19 1/2	495	2 1/2	64	489	221.8	506	229.5
18	457	CC	1 3/4	44	18.9	480	2	51	489	221.8	506	229.5
18	457	RT	2 3/4	70	24 7/8	632	4 3/8	111	562	254.9	579	229.5
18	457	CC	1 3/4	44	27 5/8	702	3	76	684	310.3	701	318.0
18	457	CC	2	51	21 1/4	540	2 1/2	64	619	280.8	637	288.9
20	508	CC	1 3/4	44	8 1/2	216	3 3/4	95	195	88.5	205	114.5
20	508	CC	1 3/4	44	9 1/2	241	2	51	260	117.9	279	126.6
20	508	CC	1 3/4	44	10 1/4	260	2	51	289	131.1	308	139.7
20	508	CC	1 1/2	38	16 1/2	419	3	76	372	168.7	390	176.9
20	508	CC	1 5/8	41	16	406	2 1/2	64	408	185.1	426	192.2
20	508	CC	2 1/2	64	10	254	2	51	416	188.7	434	196.9
20	508	CC	1 7/8	48	14 1/4	362	3	76	419	190.1	437	198.2
20	508	CC	2 1/4	57	12 3/4	324	2 1/2	64	447	202.8	465	210.9

Continued next page



Zinc Bracelet Anodes



Concrete Coated Pipe Bracelets (Continued)

Bracelet I.D.		TYPE *	THICKNESS		LENGTH		GAP		NET WT.		GROSS WT.	
in	mm		in	mm	in	mm	in	mm	lbs	kg	lbs	kg
20	508	CC	1.9	48	16 1/4	413	3	76	492	223.2	510	231.3
20	508	CC	1 5/8	41	21 1/4	540	2 1/2	6.4	494	224.1	513	232.7
20	508	CC	2 1/2	64	14	356	2 1/2	64	536	243.1	555	251.8
20	508	CC	1 3/4	44	19 3/4	502	2 1/2	64	544	246.8	563	255.4
20	508	CC	2	51	28 5/8	727	3	76	915	415.0	933	423.2
24	610	CC	1 1/4	32	13	330	2	51	302	137.0	325	147.4
24	610	CC	1 3/4	44	11 1/8	283	3	76	367	166.5	390	176.9
24	610	CC	1 3/4	44	14 1/8	359	3	76	460	208.7	483	219.1
24	610	CC	2 3/4	44	8 3/4	222	3	76	460	208.7	472	214.1
24	610	CC	3 3/4	95	6	152	3 1/2	89	460	208.7	472	214.1
24	610	CC	1 1/2	38	17	432	2 1/2	64	484	219.5	507	230.0
24	610	CC	2 1/8	54	11 1/4	286	2 1/2	64	489	221.8	512	232.2
24	610	CC	2	51	13.1	333	2 1/2	64	502	227.7	524	237.7
24	610	CC	2 1/2	64	10 7/8	276	3	76	520	235.9	543	246.3
24	610	CC	1 3/4	44	18 1/2	470	3	76	606	274.9	629	285.3
24	610	CC	2	51	16	406	3	76	606	274.9	629	285.3
24	610	CC	3 1/8	79	10	254	2 1/2	64	624	283.0	647	293.5
24	610	CC	3	76	10 5/8	270	3	76	624	283.0	647	293.5
24	610	CC	2	51	17	432	3	76	660	299.4	683	310.0
24	610	CC	3 1/8	79	10 3/4	273	2	51	689	312.5	712	323.0
24	610	CC	1 7/16	36.5	28 3/4	730	3	76	7750	3515.4	798	362.0
24	610	CC	2	51	19.6	498	3	76	746	338.4	769	348.8
24	610	CC	1 3/4	44	24 1/4	616	3	76	819	371.5	842	381.9
24	610	CC	2	51	35 3/4	908	3	76	1342	608.7	1365	619.2
24	610	CC	2 3/8	60	33 1/4	845	3	76	1547	701.7	1570	712.2
25	635	CCB	3 1/2	89	4 1/2	114	2	51	320	145.2	¥	¥
25	635	CCB	4 1/2	114	5	127	2	51	486	220.4	¥	¥
26	635	CC	1 9/16	41	21 11/16	551	5	127	655	297.1	679	308.0
30	762	CC	2	51	10	254	3	76	468	212.3	493	223.6
30	762	CC	2 3/4	70	8 1/2	216	3	76	564	255.8	580	263.1
30	762	CC	2 1/4	57	10 3/4	273	4	102	572	259.5	601	272.6
30	762	CC	2	51	12 1/2	318	3	76	606	274.9	631	286.2
30	762	CC	2 1/2	64	13.50	340	3	76	806	365.6	831	376.9
30	762	CC	2 1/4	57	15 1/2	394	3	76	840	381.0	865	392.4
36	914	CC	2	51	15 1/4	387	3	76	889	403.3	924	419.1
36	914	CC	2 1/4	57	15 1/8	384	3	76	996	451.8	1031	467.7
36	914	CC	3	76	12.6	320	4	102	1092	495.3	1127	571.2
36	914	CC	3	76	36 3/4	934	3	76	3286	1490.5	3337	1513.7
40	1016	CC	3 1/4	83	28 3/4	730	4	102	3037	1377.6	3093	1403.0
40	1016	CC	4 1/4	108	21 5/8	549	4	102	3065	1390.3	3121	1415.7

*CC=Concrete Coated (square Bracelet)

IT= Internally Tapered Bracelet

TR= Reversely Tapered Bracelet

CCB= Square Bolt-On Bracelet

¥ Variable due to bolt-on assembly